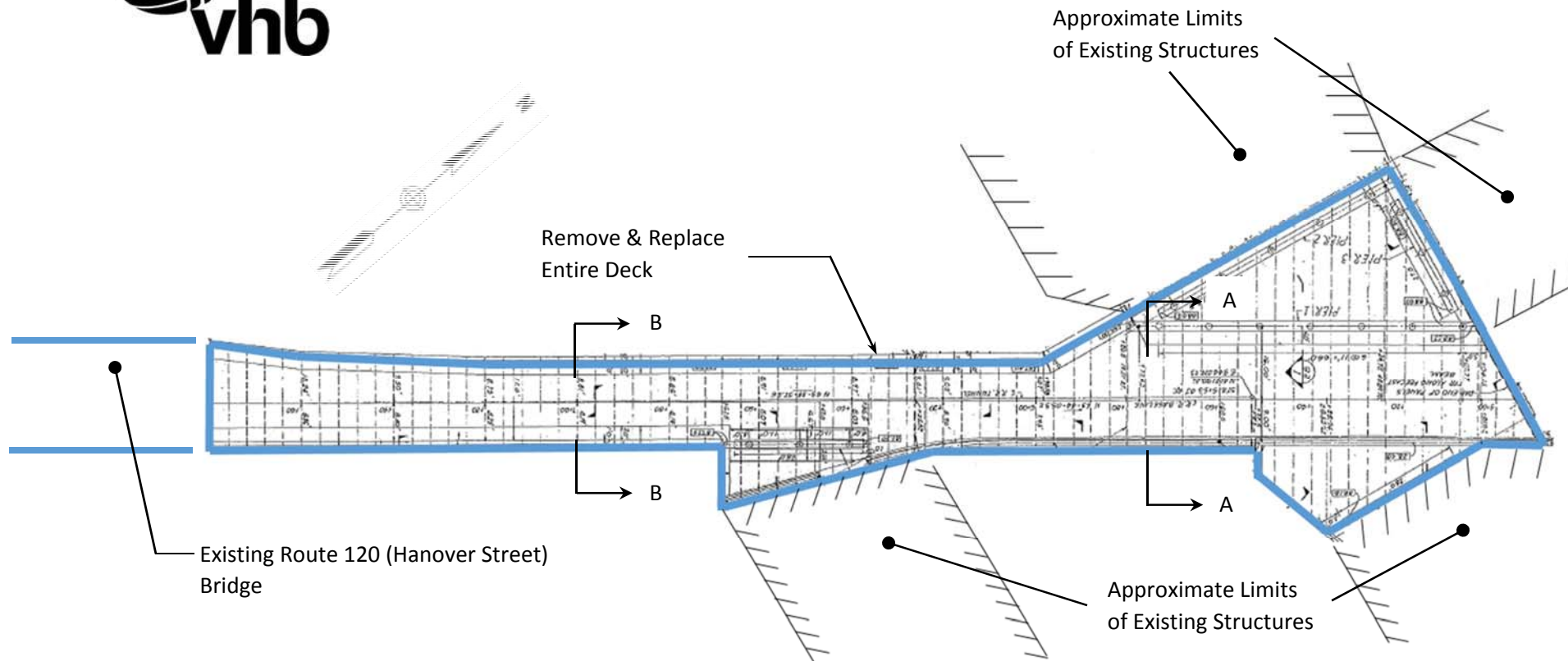




PROGRESS PRINT

4/4/2016

Alternative A

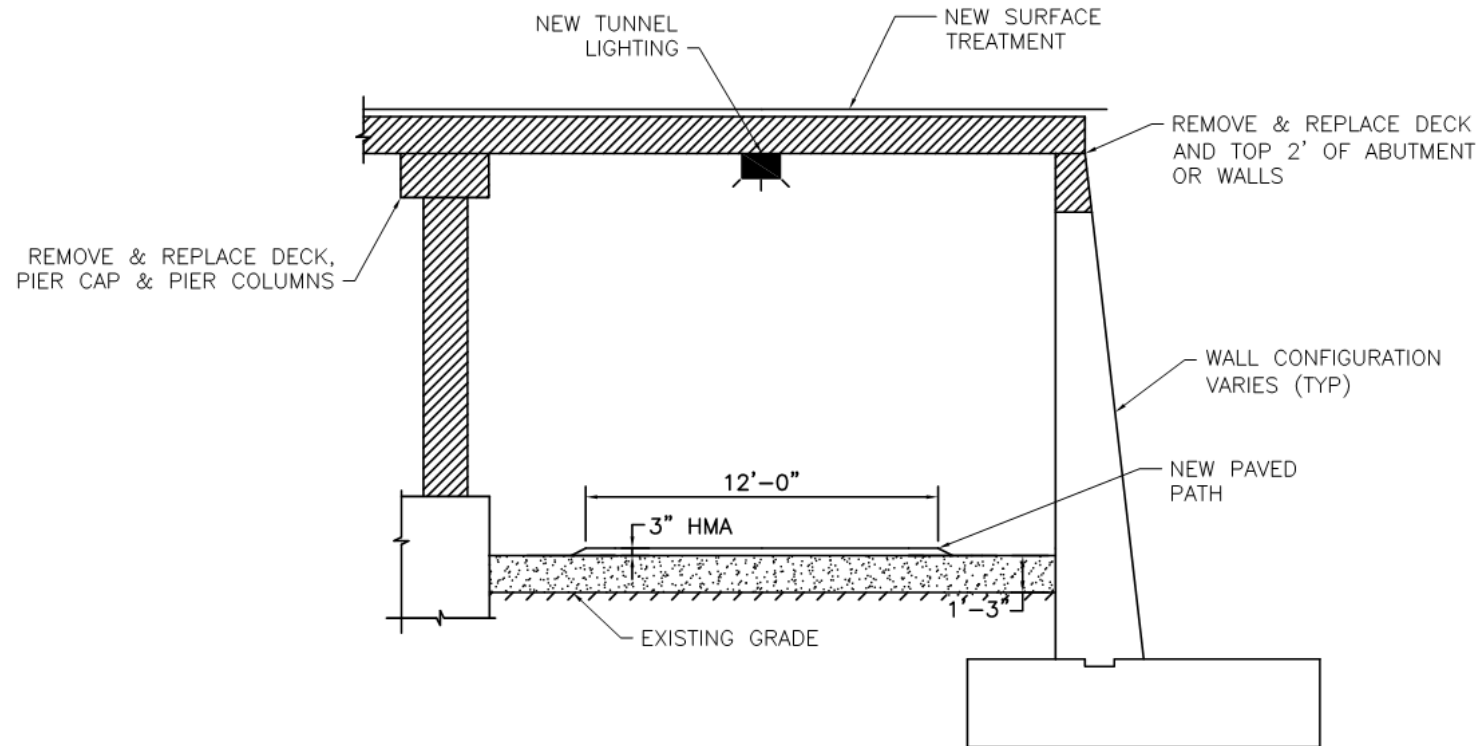


**Complete Deck Replacement**

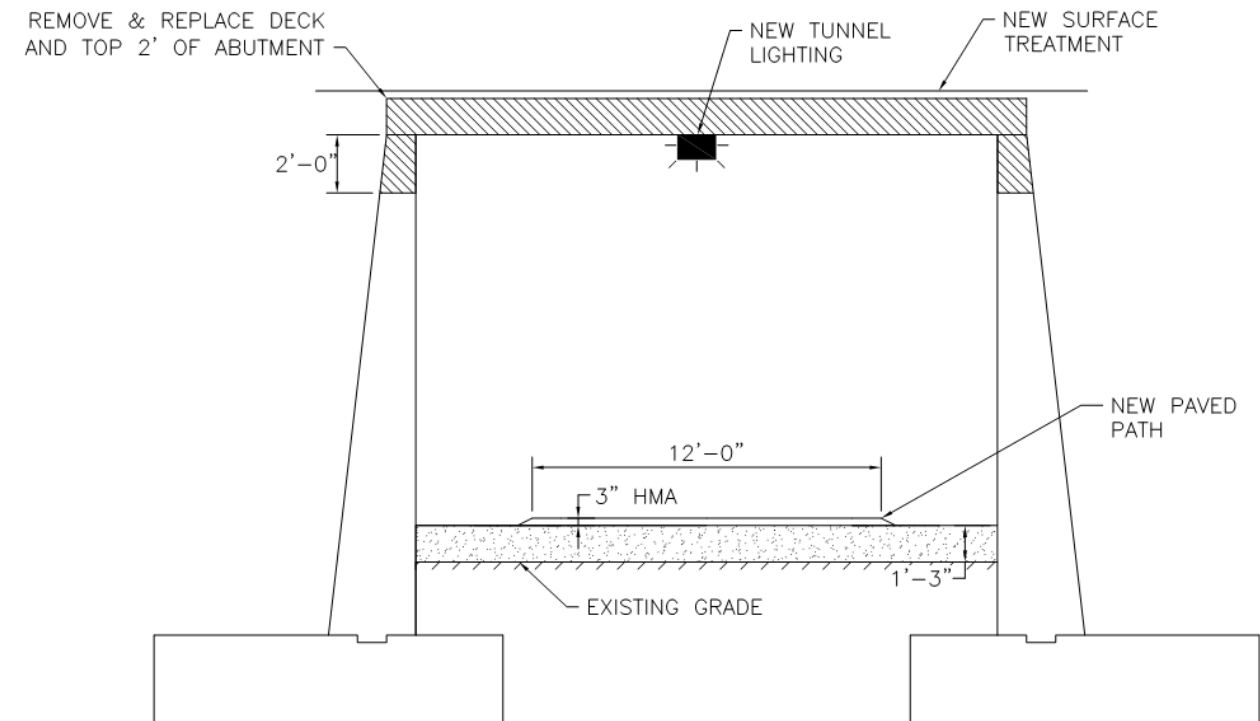
- Maintains tunnel access, parking lot, and plaza
- New lighting
- New surface treatment and trail bed
- New cast-in-place deck and support columns

Estimated Cost: \$2.0 Million

**Tunnel Plan**  
(Not To Scale)



**Section A-A**  
(Not To Scale)



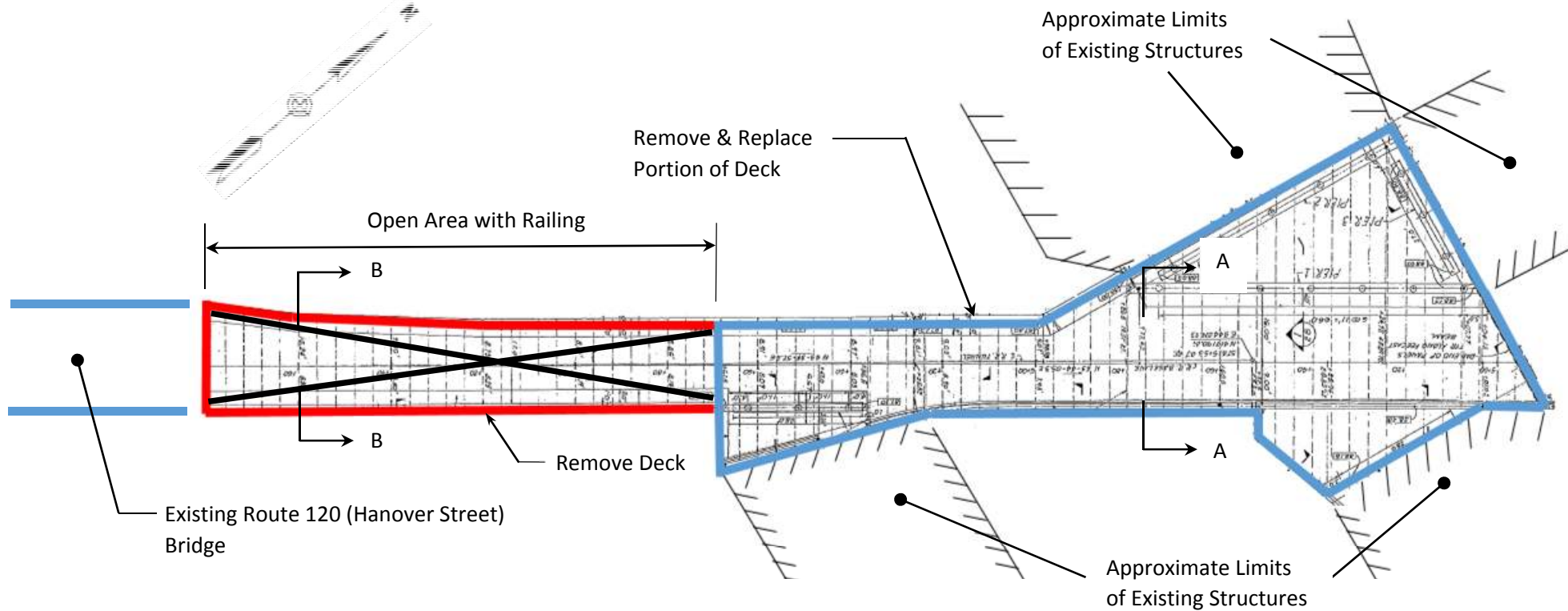
**Section B-B**  
(Not To Scale)



PROGRESS PRINT

4/4/2016

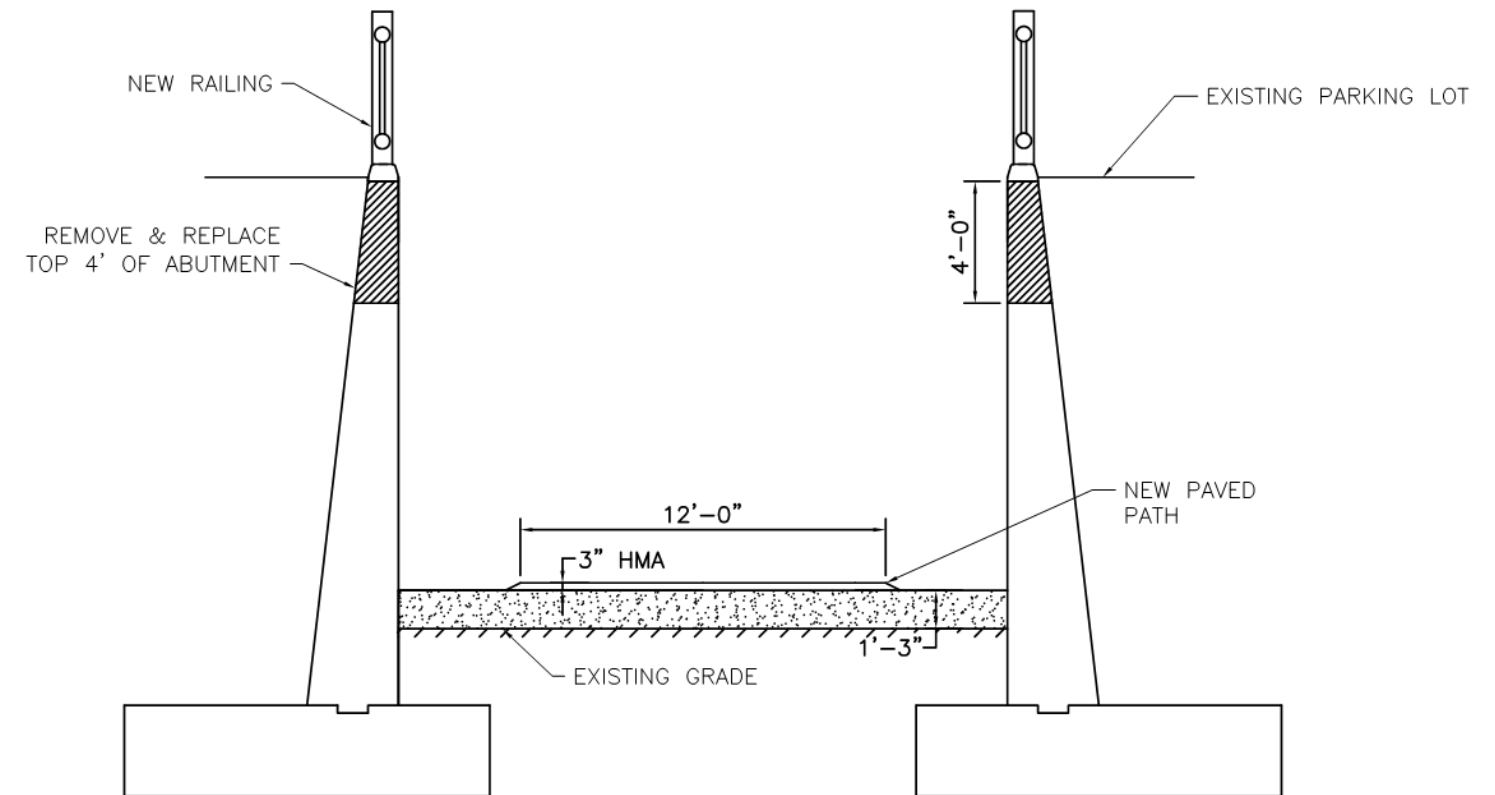
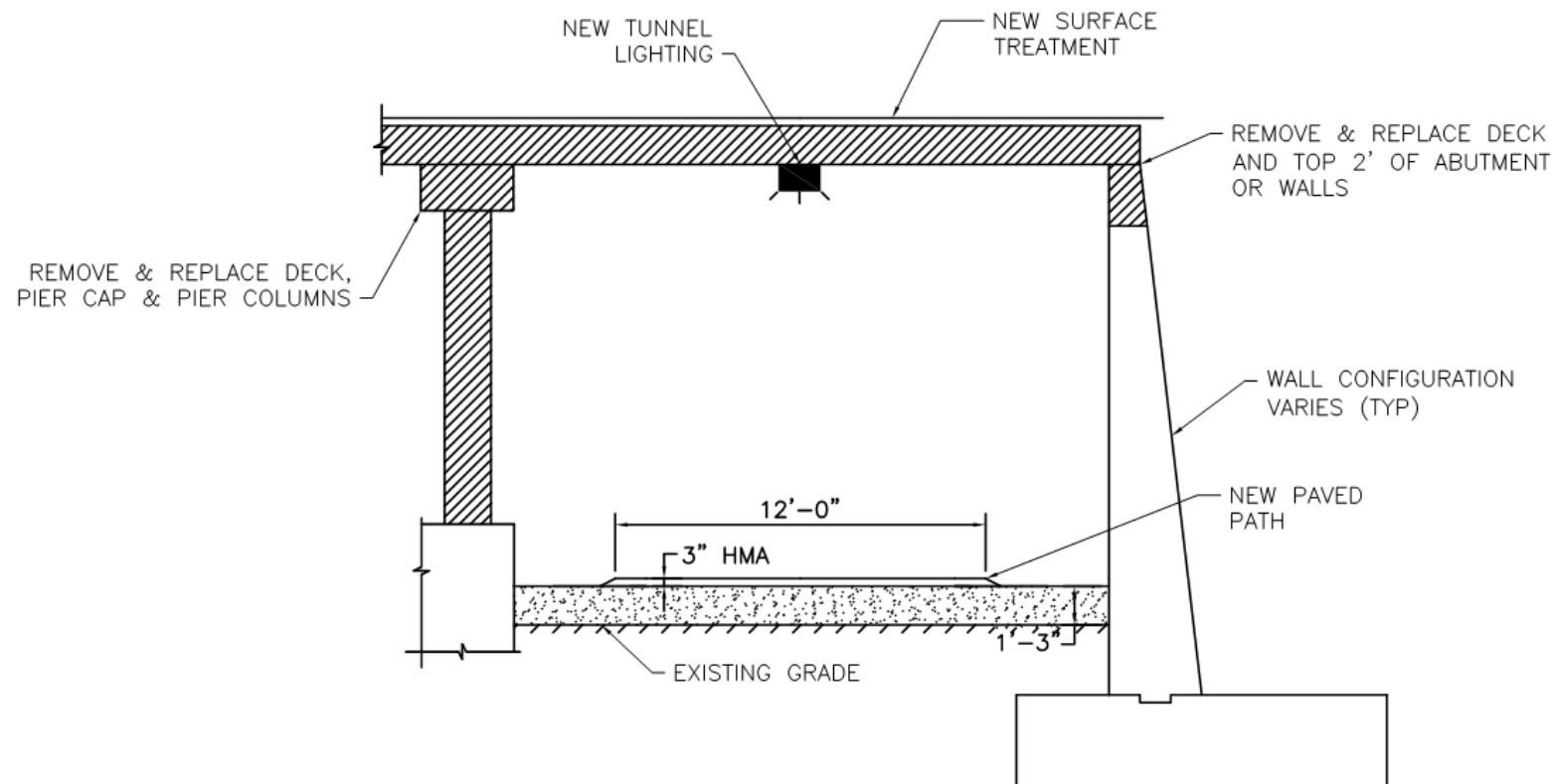
Alternative A.1



**Partial Deck Replacement with Opening**

- Maintains tunnel access and plaza
- Replaces parking with an opening surrounded by railing
- New lighting
- New surface treatment and trail bed
- New cast-in-place deck and support columns

Estimated Cost: \$2.0 Million





PROGRESS PRINT

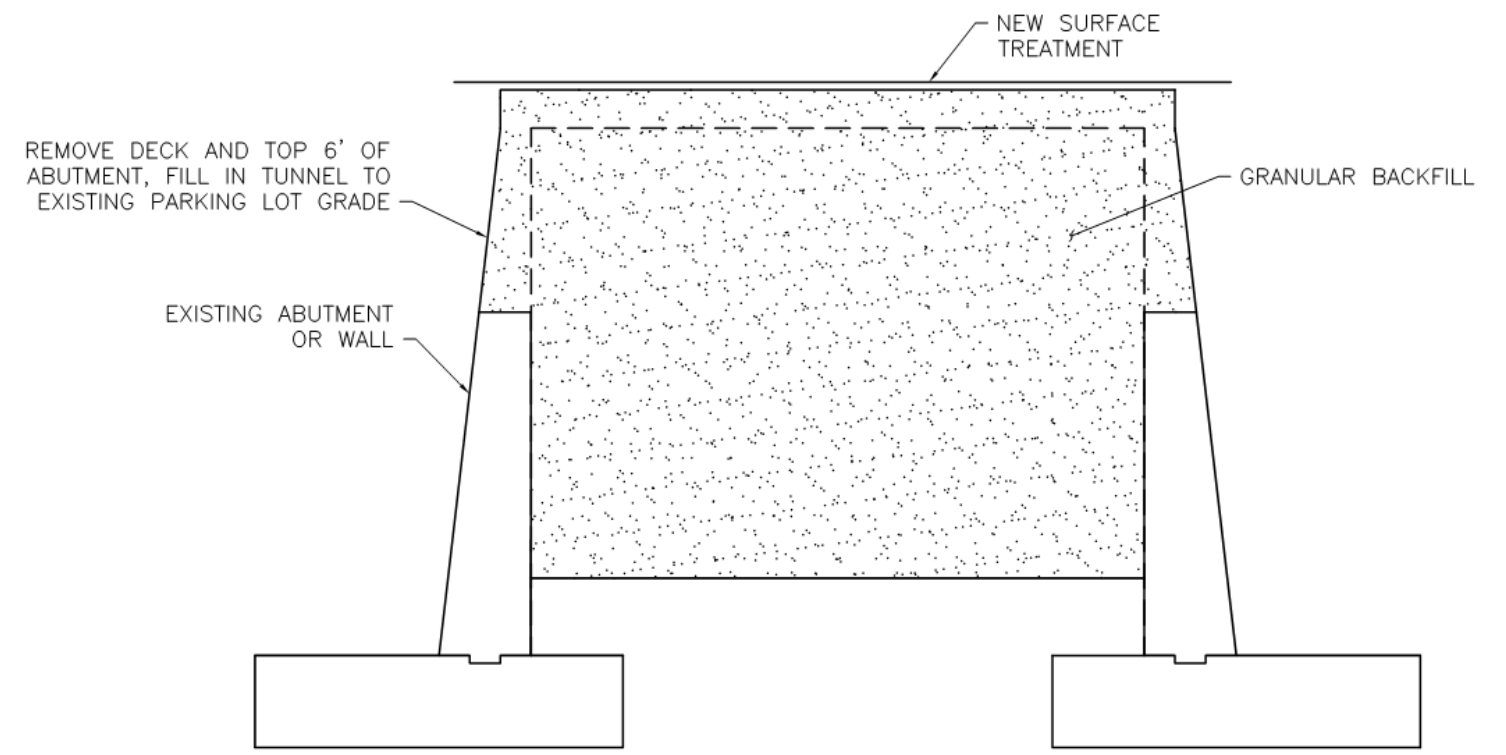
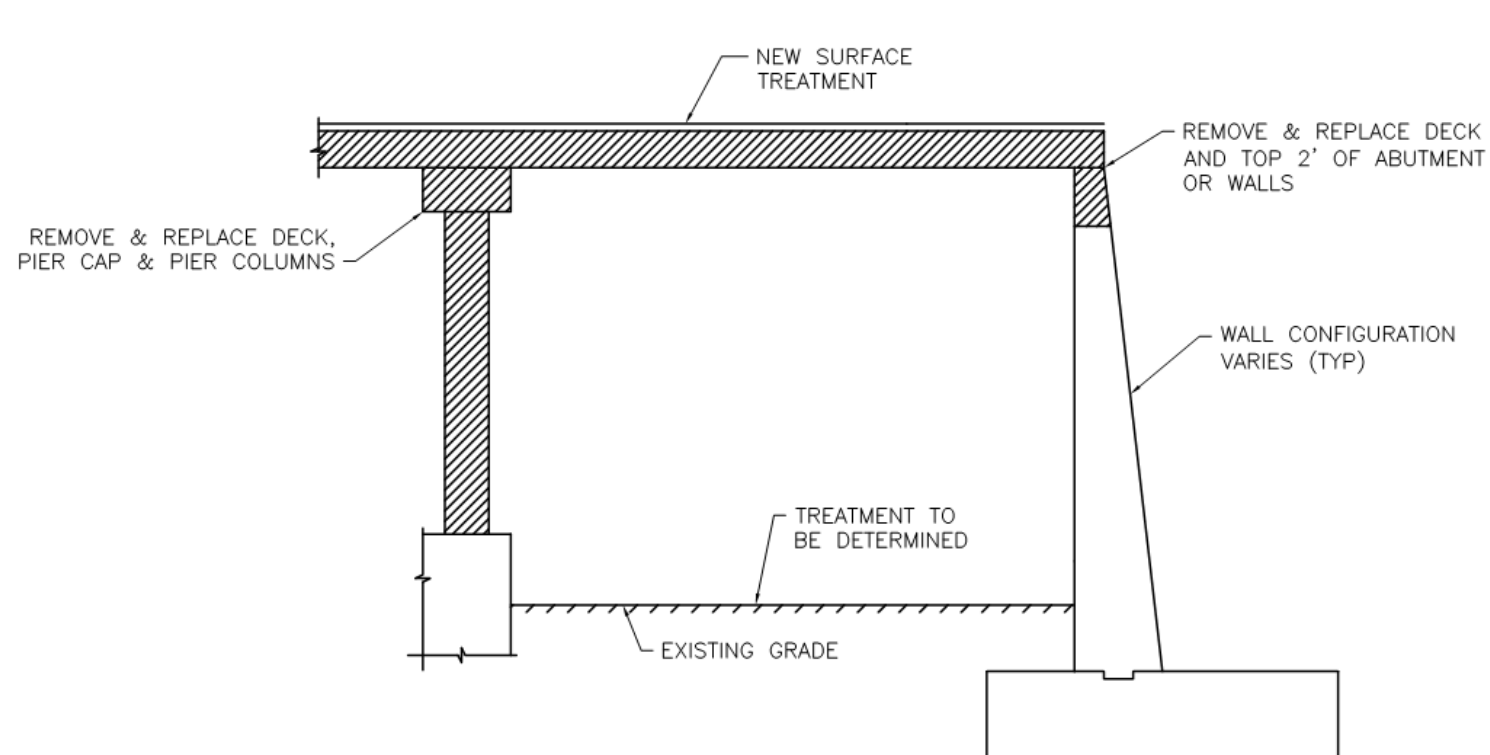
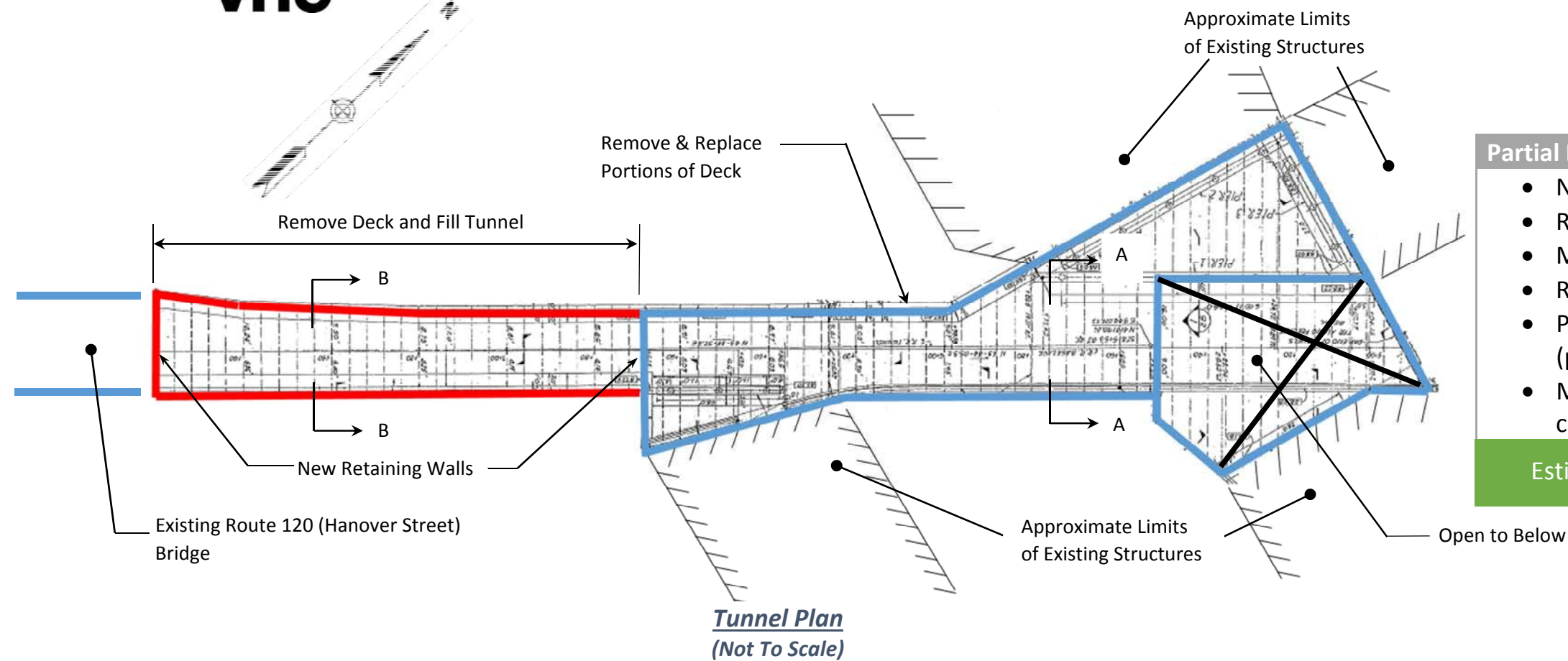
4/4/2016

Alternative B

**Partial Deck Replacement and Tunnel Fill**

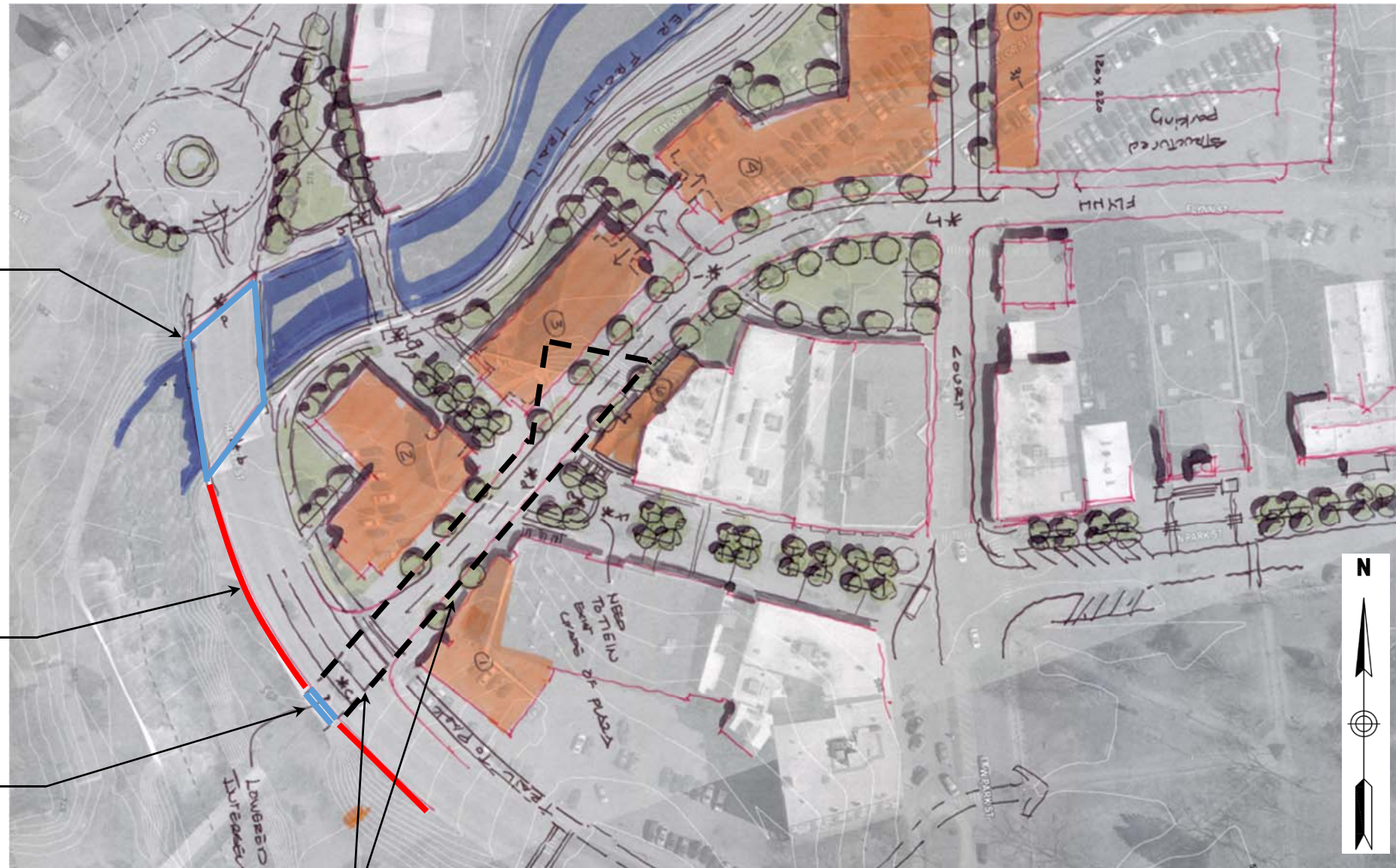
- No thru tunnel access for trail
- Requires reconfiguration of stairs and building entrance
- Maintains parking area and portions of plaza
- Replaces portions of plaza with opening and new railings
- Potentially remove adjacent NH 120 bridge and fill in (programmed for replacement in 2023)
- May require relocation or sleeves for buried fiber optic cable.

Estimated Cost: \$1.8 Million



**Section A-A (Not To Scale)**

**Section B-B (Not To Scale)**



New Superstructure

Lower and Reconstruct  
Upper Wall with New Railing

New Retaining Wall

Remove Existing Tunnel  
Structure and NH 120 Bridge

**Lebanon Downtown Plan Concept**  
(Not To Scale)

**Remove Tunnel and Lower Hanover Street**

- Tunnel replaced with new roadway
- Removes existing bridge carrying Route 120 (Hanover street) over the pedestrian path/abandoned railroad
- New superstructure carrying Hanover street over the Mascoma river
- Reconstruct upper retaining wall along Hanover street

Estimated Cost: \$4.9 Million

\* Cost includes structural items only as noted above. Other costs for pedestrian bridge, roadway and site/civil are not included.